

ClipSwitch

■ Description

- ▶ Disconnects the output of the bridge rectifier from the input of the power converter when the input voltage exceeds a threshold

■ Benefits

- ▶ May use a bulk capacitor with a lower voltage rating at the input
- ▶ Provide transient voltage protection
- ▶ Save space on the PCB
- ▶ **Could be used in:** flyback converters

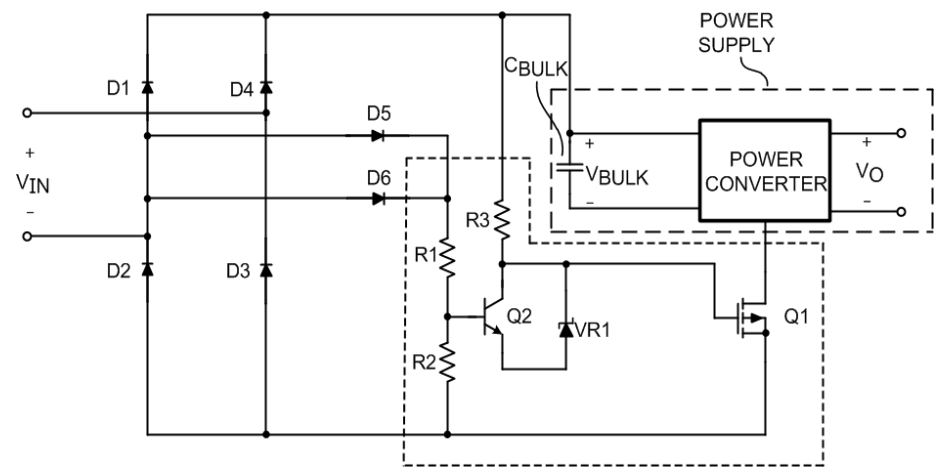


Figure 1. Example circuit to disconnect the bridge rectifier

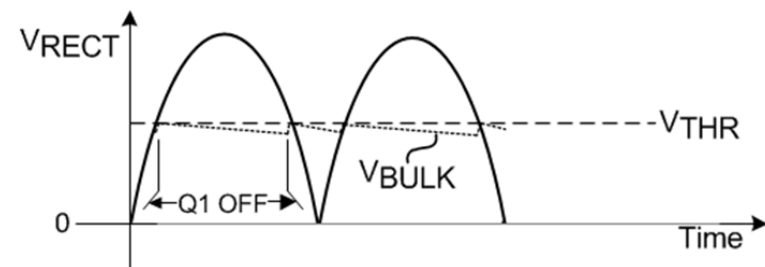


Figure 2. Example timing diagram